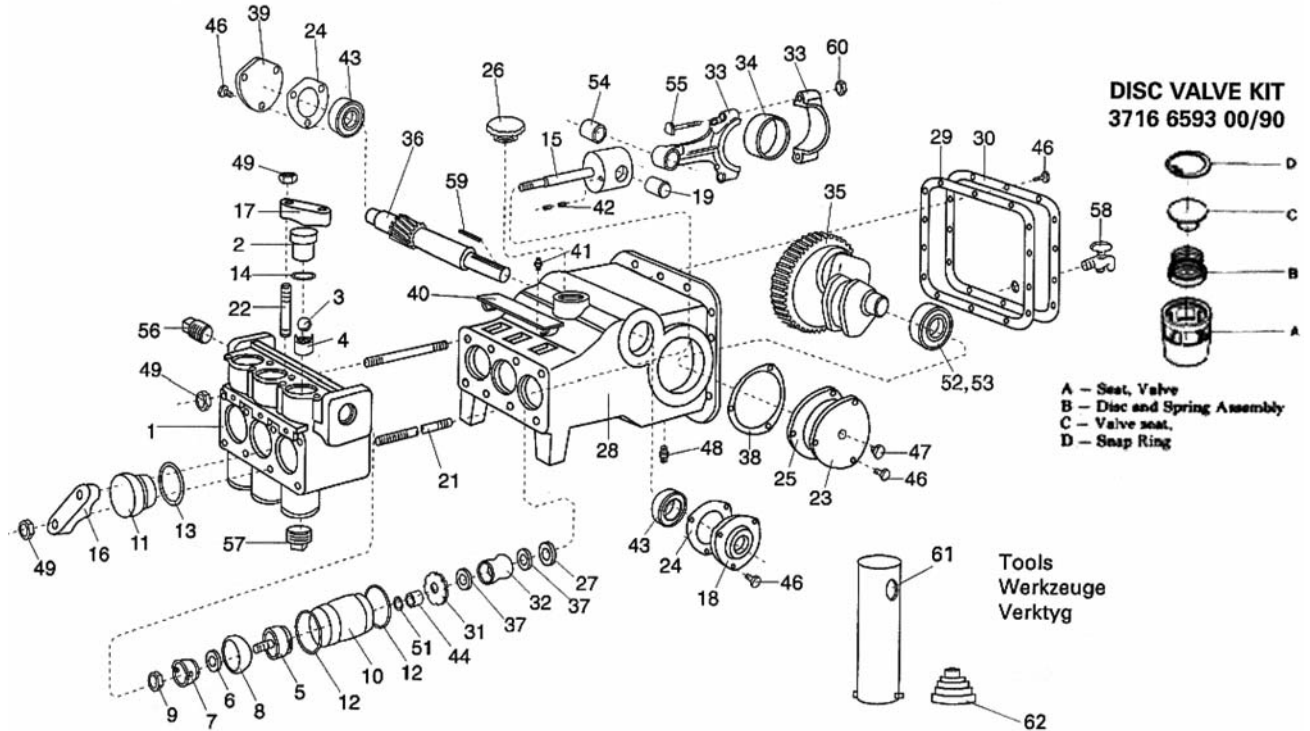


Diagram / Parts List

FMC Bean 420 / 435



Item	Description	No. req'd	420	Longyear#	435	Longyear#	Item	Description	No. req'd	420	Longyear#	435	Longyear#
1	Chamber	1	6321	79319	1-284-777	79325	35	Eccentric gear assy	1	1-279-071	79214	1-285-094	79122
2	Valve cover	3	A5003	75009	1-285-113	79882	36	Pinion shaft	1	1-265-098	79086	1-266-790	79116
3	Ball	6	1-101-418	25307	1-101-419	26157		Pinion shaft - double-sided (not shown)	1			34654	
4	Valve seat	6	1-225-327	79614	1-284-740	79324	37	Plunger rod seal	6	1-283-603	79316	1-177-489	79321
	Valve seat (special)	6			1-225-326		38	Shim	A/R	1-252-594	79084	1-252-595	79113
	Valve seat (mud type)	6	1-256-641		1-278-104		39	Bearing cap	1	1-225-769	79073	1-266-789	79108
5	Plunger cup	3	8495	75028	91663	75037	40	Cover plate assy	1	1-214-260	79071	1-215-009	
6	Washer	3	1-207-289	75059	1-216-753	75062	41	Lube fitting	3	70-10-119	16634	70-10-119	16634
7	Plunger nut	3	A5016	75021	A5016	75012	42	Set screw	6	1-103-470	79090	1-182-554	79904
8	Packing	3	A3434N		A268N	79606	43	Ball bearing	2	1-104-444	19720	1-272-558	75081
9	Spec nut	3	8309	75027	8309	75027	44	Seal holder	3	1-281-655	79335		
10	Cylinder (porcelain lined steel)	3	A5034	79066	91664	75038	46	Capscrew hex head	14	1-106-910	44538	1-106-980	44529
11	Cylinder head	3	A5002	75008	1-285-112	63684	46	Capscrew hex head	12	1-106-914	44511		44530
12	Gasket cyl	6	1-280-024	75066	1-279-676	79322	47	Capscrew hex head	2		44529		44525
13	Gasket cyl head	3	1-280-025	75068	1-279-674	79323	48	Plug 1/2	2	1-187-048	79112	1-187-048	79112
14	Gasket valve cover	3	1-280-026	75067	1-279-675	79334	49	Nut hex 1/2-13	14	1-121-497	44525	1-121-499	44526
15	Crosshead & rod	3	1-250-876	79087	1-252-939	75072	50	Washer, lock (not shown)	1		79901		
16	Clamp cyl head	3	1-271-415	79060	80392	79101	51	O-Ring for plunger cup	3	1-101-176	79327	1-101-176	79327
17	Clamp valve cover	3	1-271-716	79063	80391	78541	52	Cone bearing	2	1-101-242	79218	1-177-473	79121
18	Bearing cap	1	A5005	79074	80795	79109	53	Cup bearing	2	1-177-287	79219	1-177-474	79120
19	Pin	3	A5006	78540	91014	75076	54	Bushing	3	A5046	78544	9226	75032
20	Stud cyl	2	A5009	75010	91672	75042	55	Bolt	6	18743	79091	18744	78547
21	Cyl cover stud	6	A5011	75011	1-279-602	75041	56	Cap plug	2	1-177-201	19109		
22	Valve clamp stud	6	A5012	78545	A5076	75022	57	Cap plug	3	1-177-203	18475		
23	Bearing Housing	2	1-279-064	79215	1-248-369	79114		Plunger rod packing (not shown)	3	5120			
24	Gasket	2	A5026	79075	91674	75044	58	Petcock	1	1-187-039	79098	1-187-039	79098
25	Gasket	2	A5025	79083	A91675	75043	60	Nut 1/2-20 elas. Stop	6			1-101-270	60899
26	Oil Cap	1	A5054	79081	A5054	79081		Plunger cup remover (not shown)	1	A5049	75019	A5049	75019
27	Packing Washer	3	1-283-602	79318	19510	79748		Baffle retaining screw (not shown)	4	1-101-151		1-101-151	
28	Pump case	1	5260537	79212	5-257-698	79105		Baffle, upper (not shown)	1	1-265-075		1-265-823	
29	Gasket cover	1	1-279-065	79217	A91676	75045		Baffle, lower(not shown)	1	1-265-075		1-265-825	
30	Cover assembly	1	1-279-063	79096	1-250-332	79123							
31	Packing nut	3	1-283-600	79317	1-266-323	79326							
32	Sleeve	3	1-283-601	79332	1-266-365	79320							
33	Connecting rod	3	18710	78538	18711	75077							
34	Bearing insert (pair)	3	1-280-909	75079	1-280-910	75033							